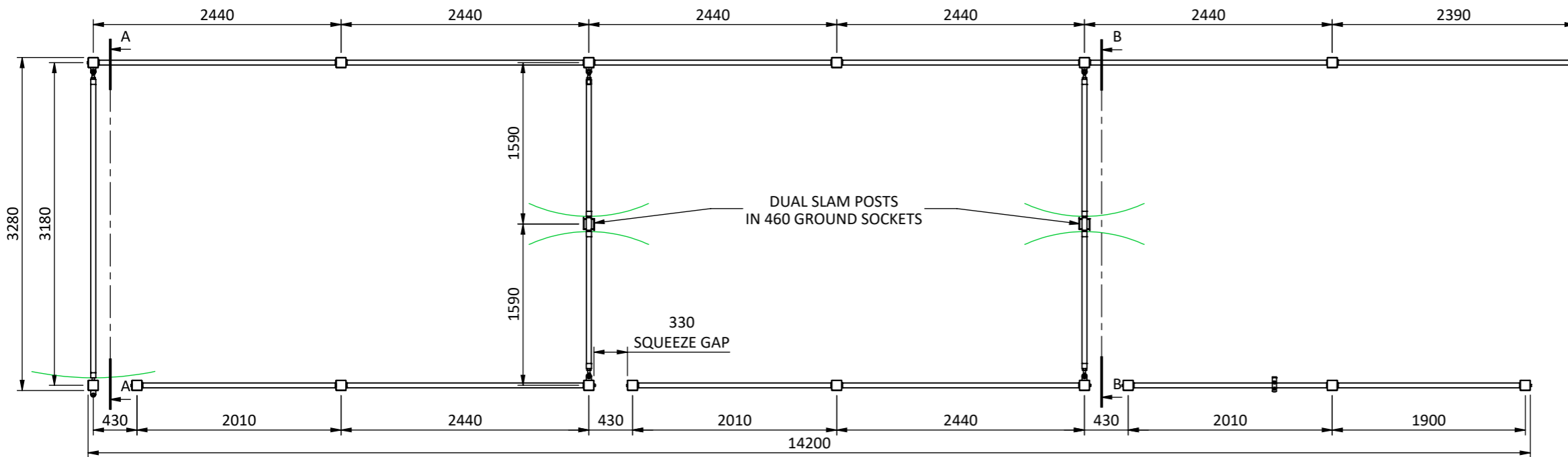
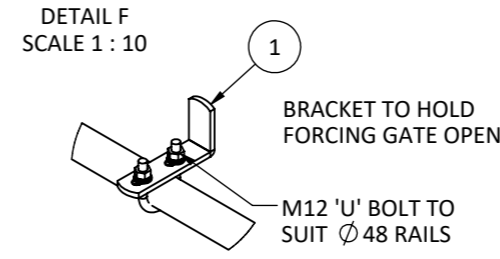
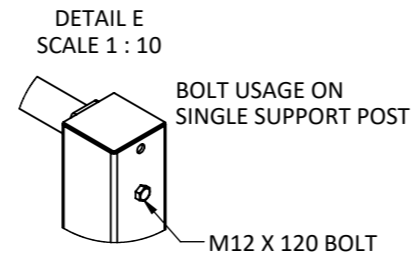
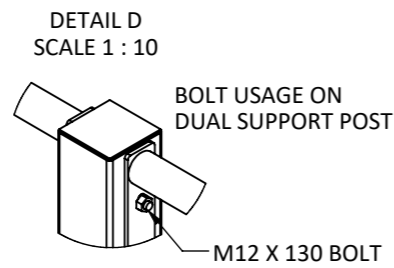
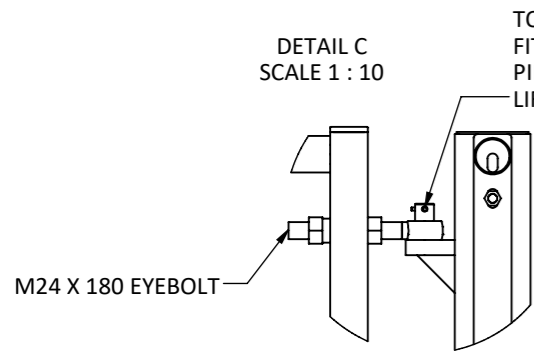
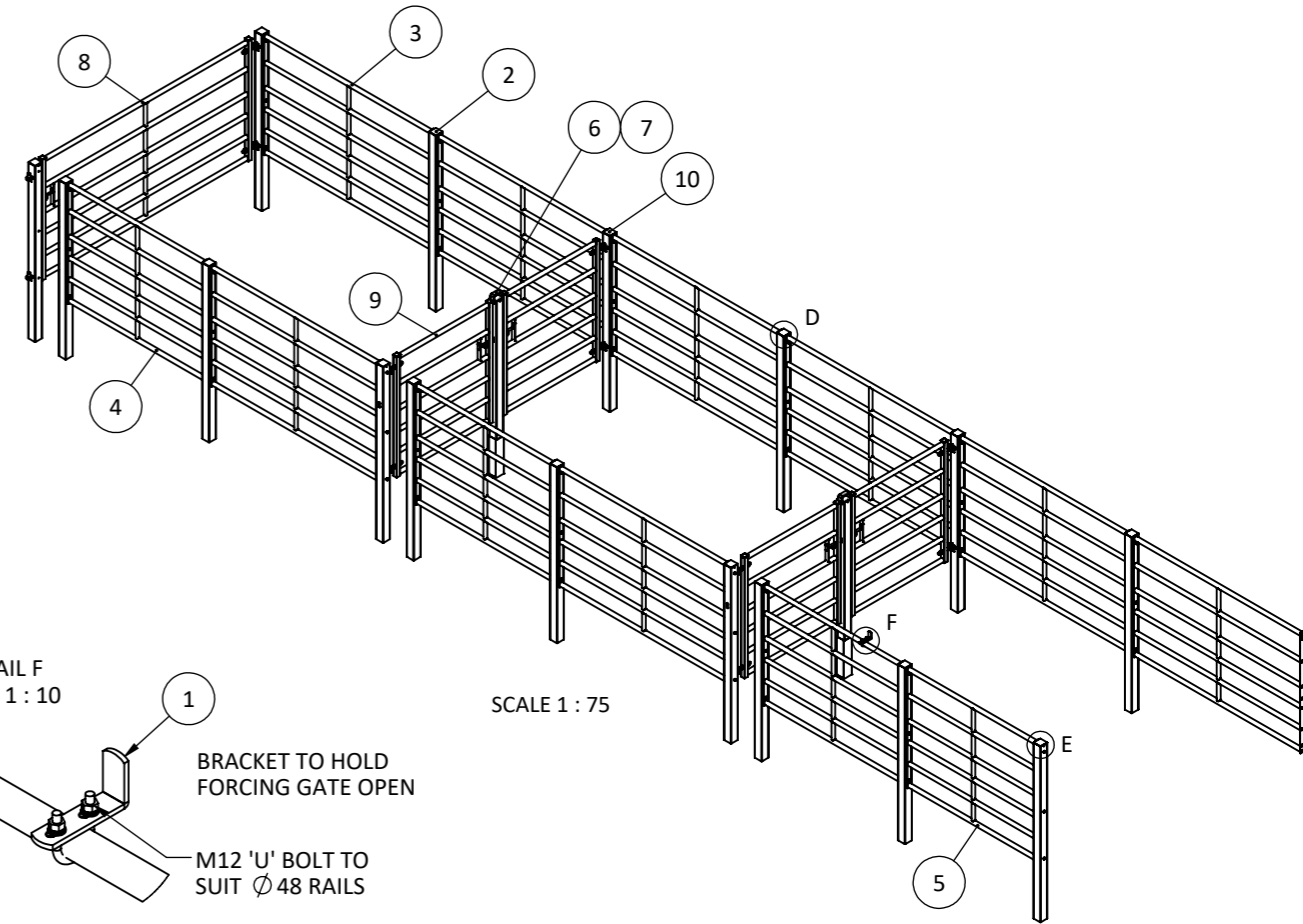
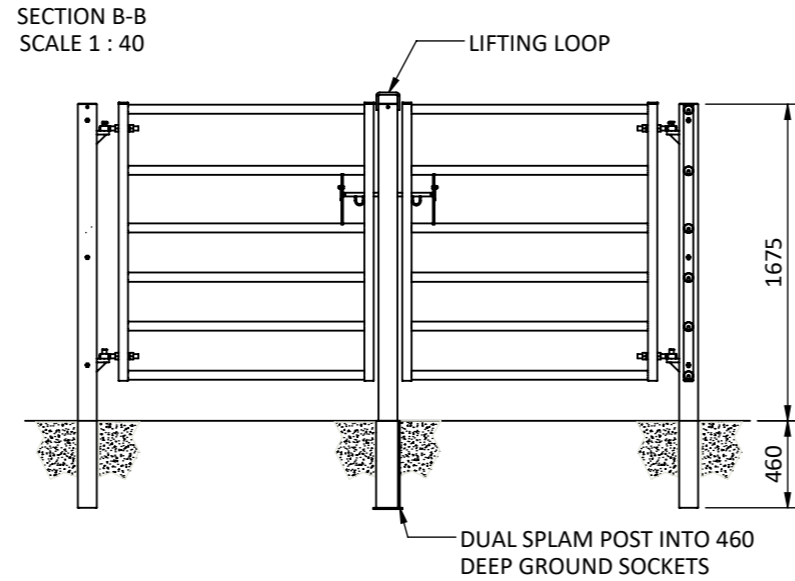
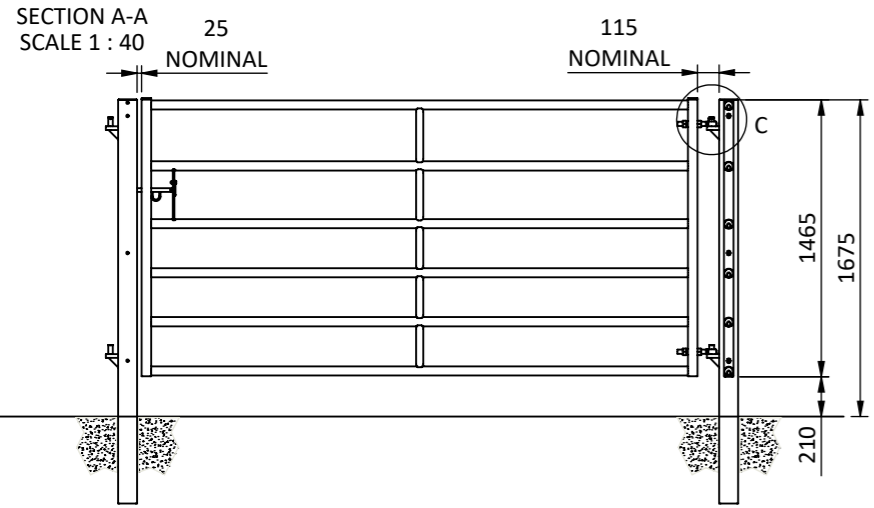


HOLDING PENS - RIGHT HAND CONFIGURATION

1000067



GENERAL INSTALLATION DETAILS
 ALL EQUIPMENT IS TO STAND AT A NOMINAL 1675 ABOVE F.F.L ALL POSTS NOMINALLY 460 INTO GROUND
 DO NOT PERMANENTLY FIX ANY POSTS INTO GROUND UNTIL ALL EQUIPMENT HAS BEEN CHECKED FOR FIT

ITEM NO.	PART NUMBER	DESCRIPTION	QTY.
1	F040 2500 22	146L CLAMP ON LATCH RECEIVER	1
2	F022 2103 30	2135L 100X100 SHS SUPPORT POST	10
3	F022 2012 23	2337L X 1465H 6R CONTI PANEL	8
4	F022 2012 19	1907L X 1465H 6 RAIL CONTI PANEL	3
5	F022 2012 17	1797L X 1465H 6 RAIL CONTI FENCING PANEL	1
6	F017 2122 23	2135L 100X100 SHS DUAL SLAM POST	2
7	F017 2073 01	GROUND SOCKET T/S 100X100 SHS POST	2
8	F000 2080 29	2940L X 1465H 6R CONTI GATE BISB	1
9	F000 2080 13	1350L X 1465H 6R CONTI GATE BISB	4
10	1000028	2135L 100X100 SHS HANG/SLAM/SUPPORT POST	6
11	1000031	FITTING KIT TO SUIT HOLDING PENS	1

ITEM DESCRIPTION: CATTLE HANDLING SYSTEM HOLDING PENS			
DRAWING No: 1000067	REV: A	FOR STANDARD TOLERANCE INFORMATION PLEASE REFER TO IAE DOCUMENT D-12	A3
MATERIAL: VARIES	DRAWN: MF		SHEET: 1 OF 2
		EST.WEIGHT(Kg): 1114.12	SCALE: 1:50
DATE: 26/02/2019	REV	DESCRIPTION	N/A MF 26/02/2019
			ECO INT DATE

THE INFORMATION CONTAINED IN THIS DRAWING IS THE PROPERTY OF "IAE". COPYRIGHT IS RESERVED BY THEM AND THE CONTENT USED ON THE CONDITION THAT IT IS NOT COPIED, REPRODUCED, RETAINED OR DISCLOSED TO ANY UNAUTHORISED PERSON EITHER WHOLLY OR IN PART WITHOUT THE CONSENT IN WRITING OF "IAE"
 Tel:01782 339320 www.iae.co.uk : email: sales@iae.co.uk

- ALL DIMENSIONS ARE IN MILLIMETRES
- THREADS TO BE METRIC COARSE UNLESS OTHERWISE STATED
- ALL HOLES TO BE ON ϕ UNLESS OTHERWISE STATED
- FULLY WELD UNLESS OTHERWISE STATED
- DO NOT SCALE UNDIMENSIONED FEATURES